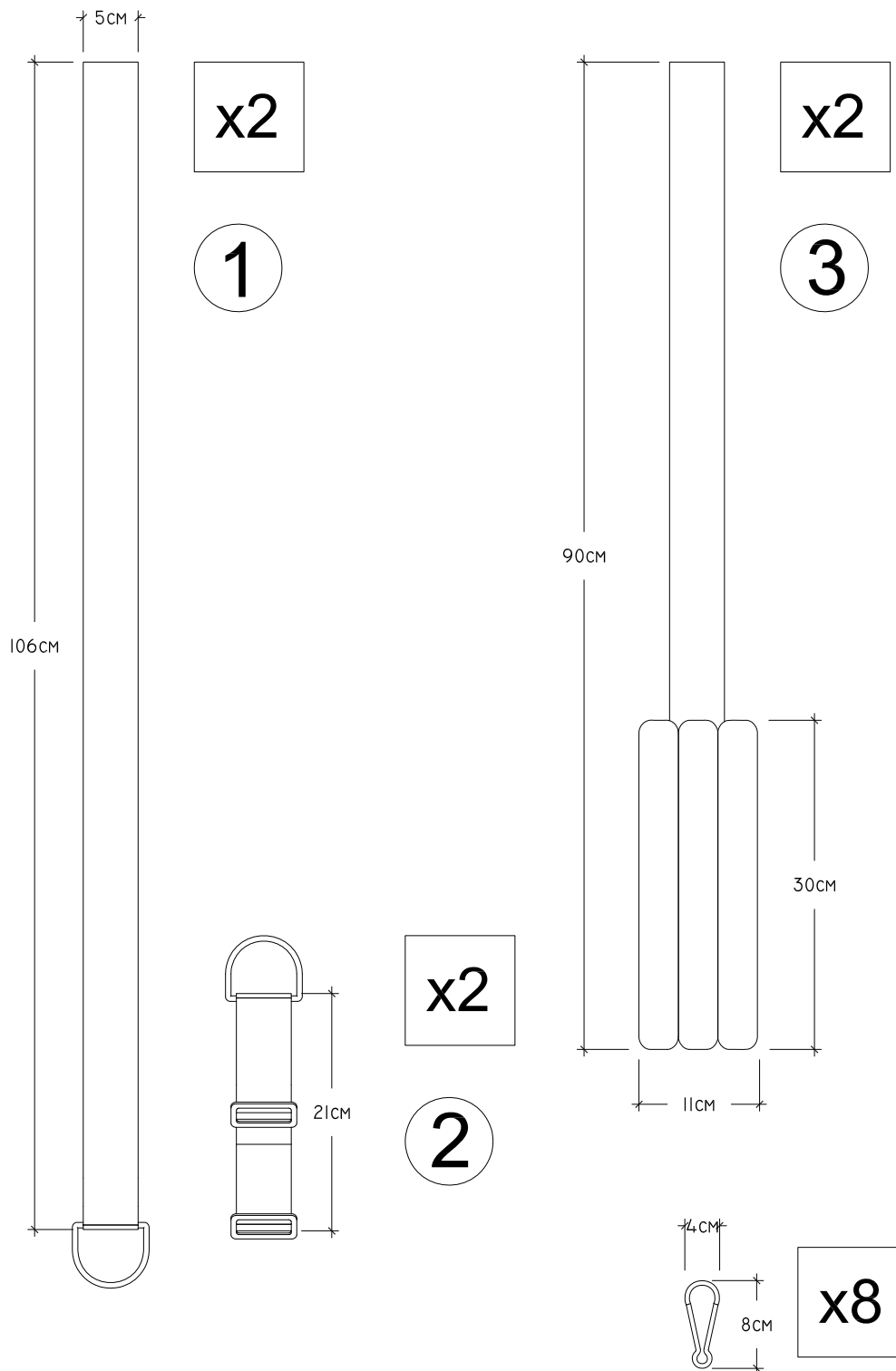
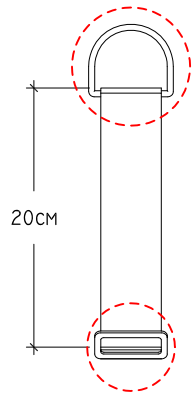


ASSEMBLY INSTRUCTIONS

TRIANGULAR SLING

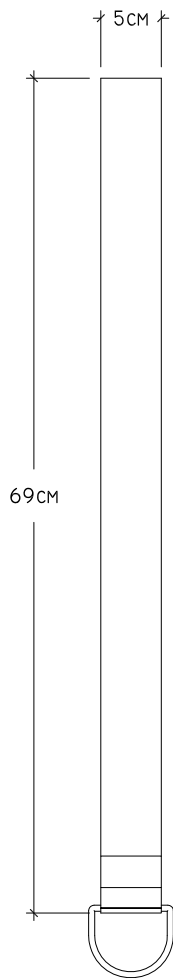
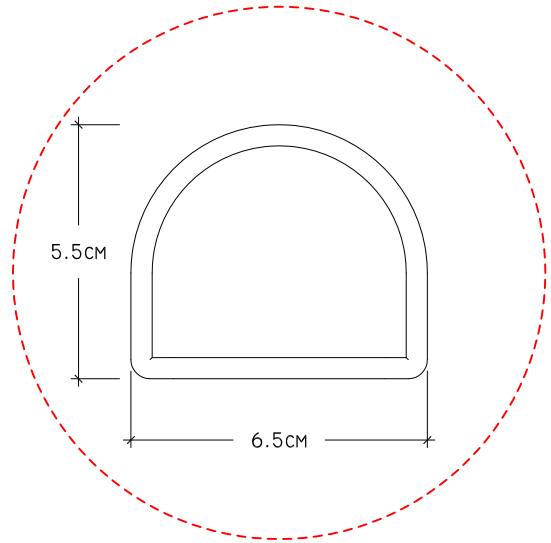
PARTS, QUANTITY & DIMENSIONS





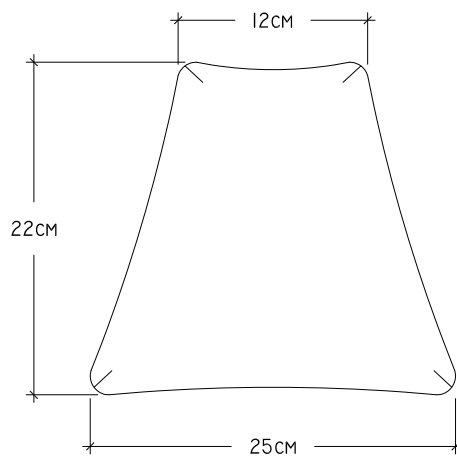
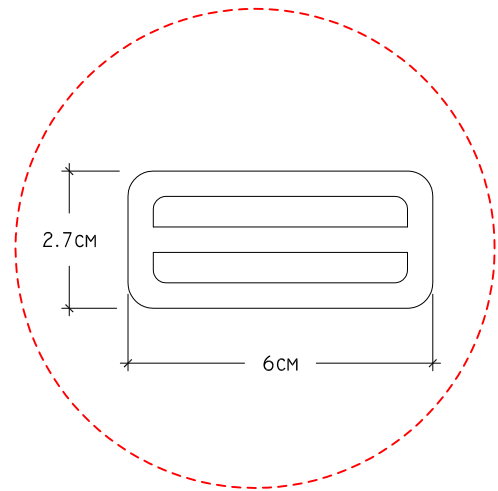
x2

4

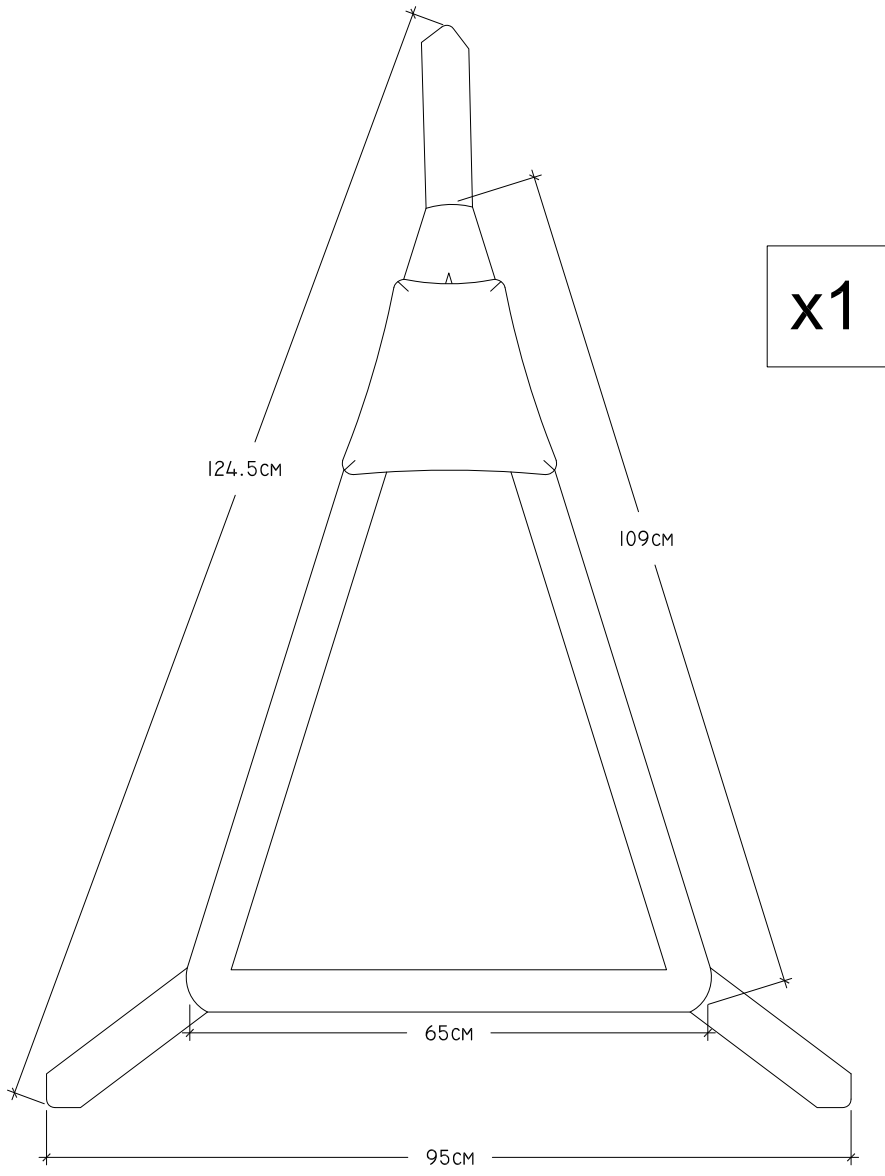


x2

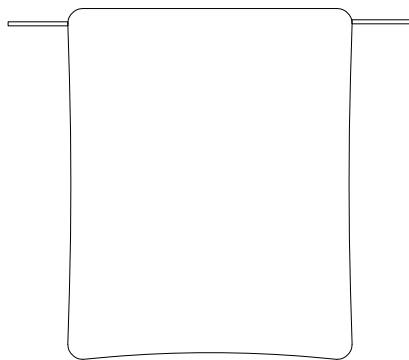
5



x1



x1

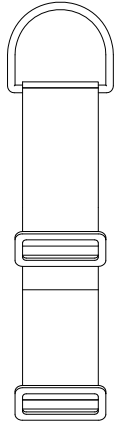
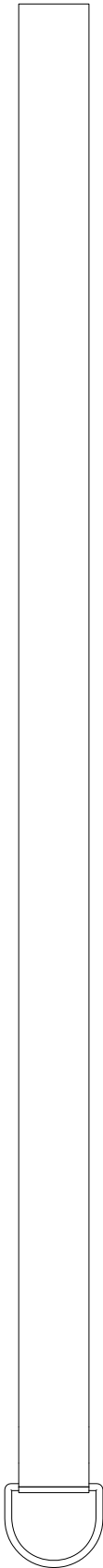


x1

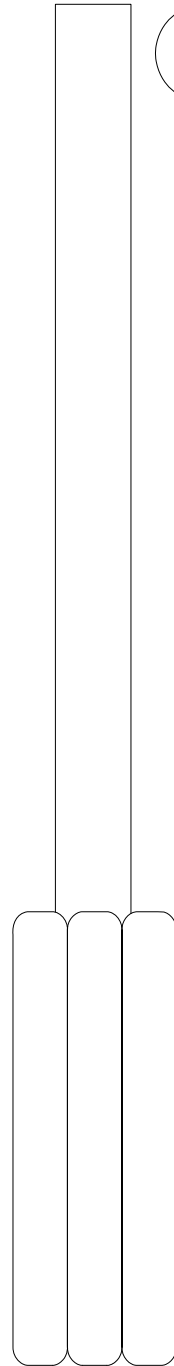
Bag

PROCESS

1

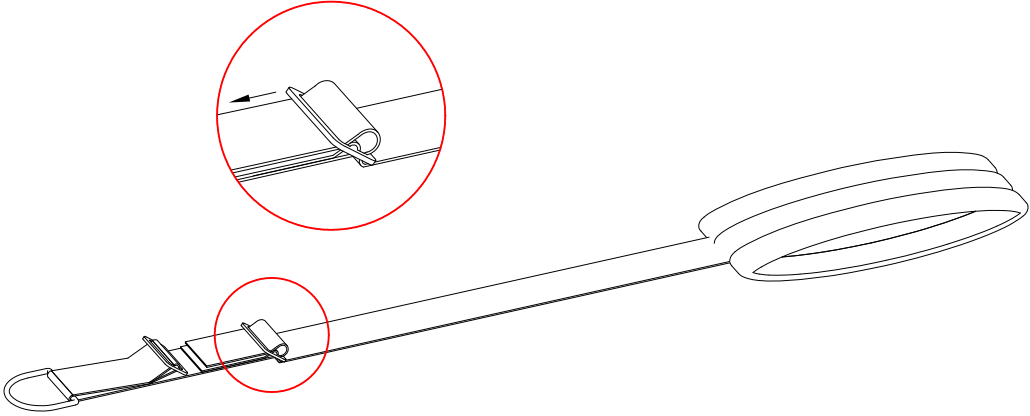
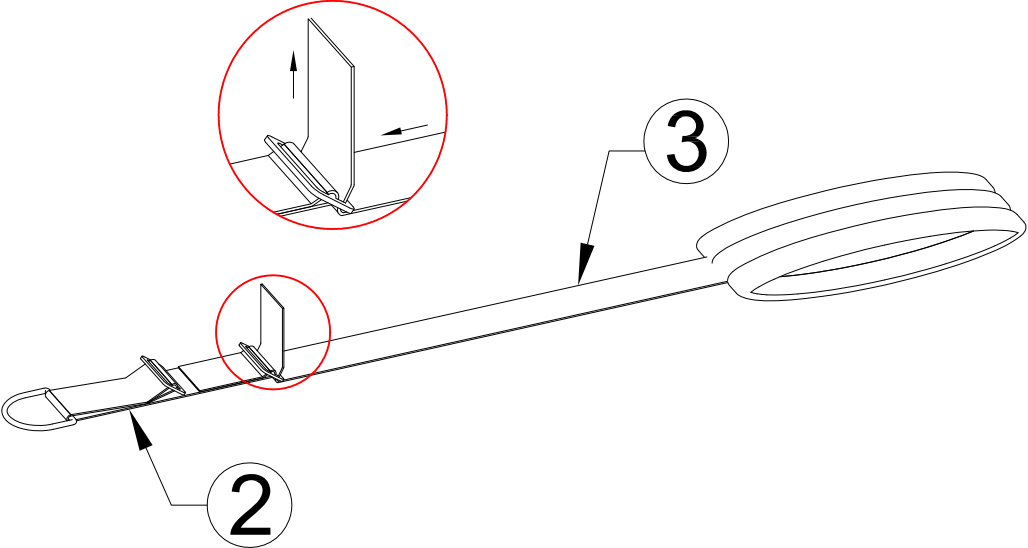


2

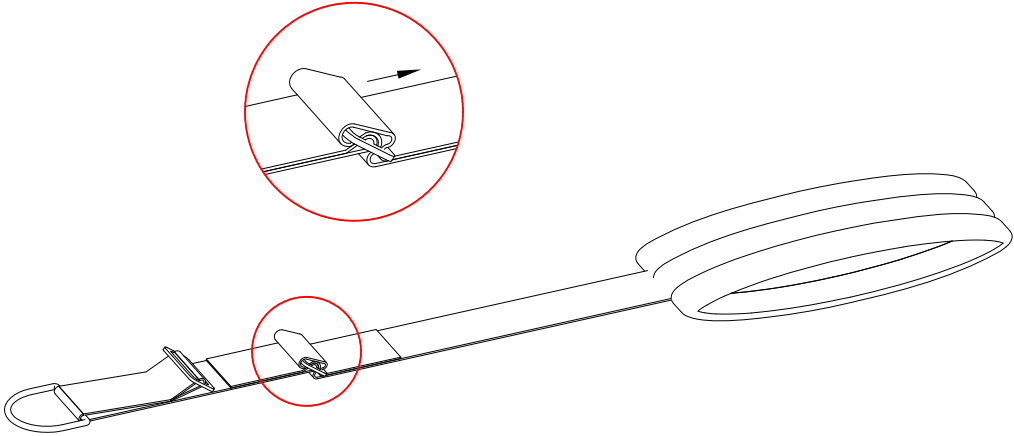
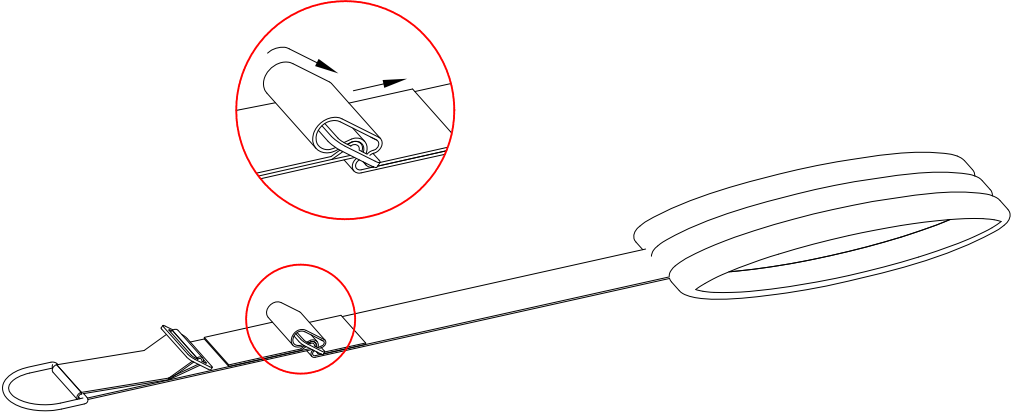


3

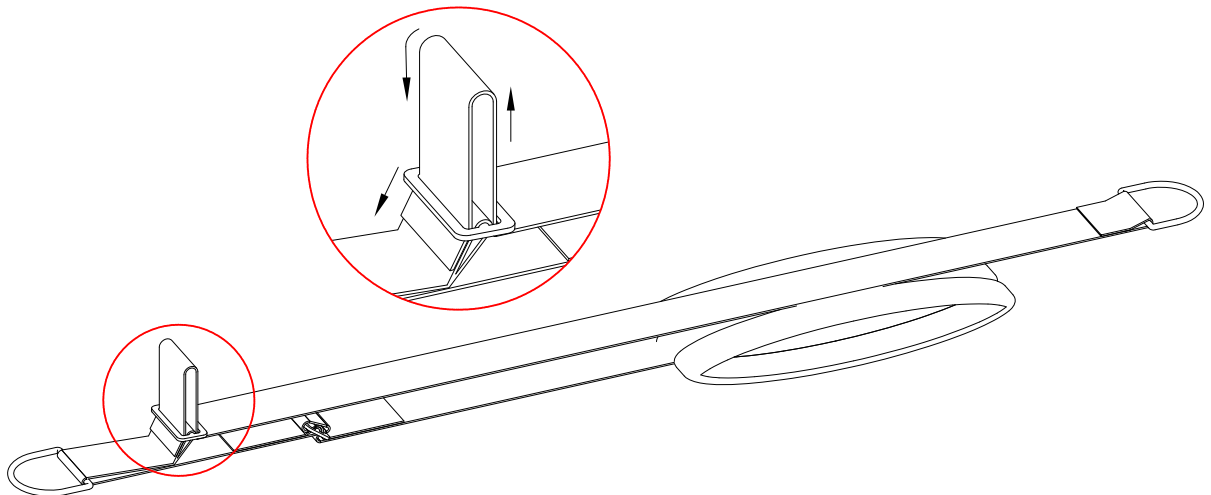
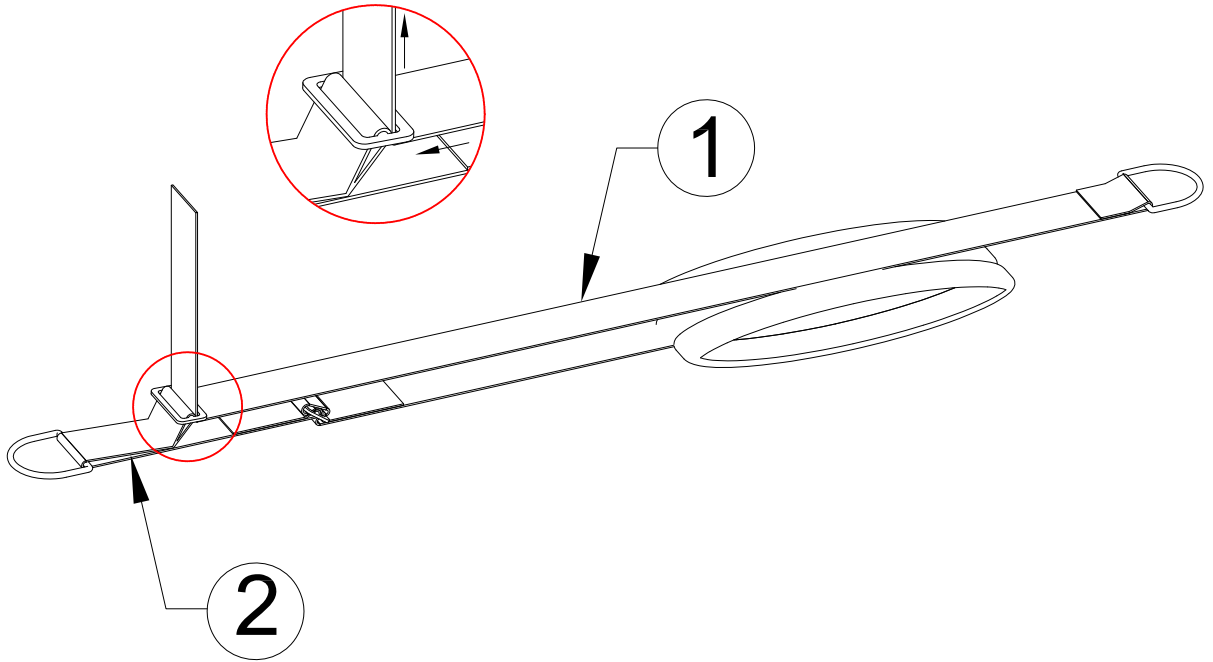
Step 01



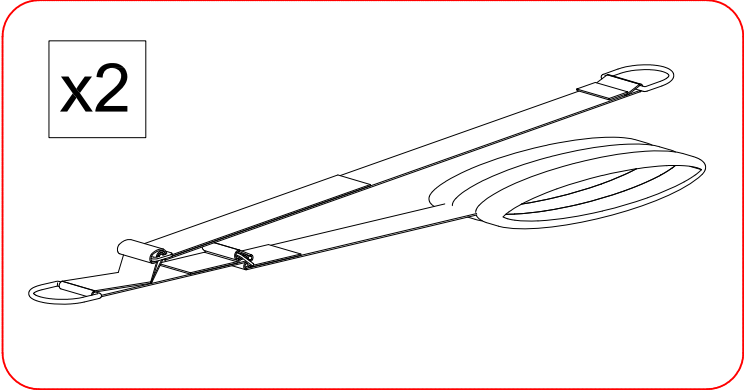
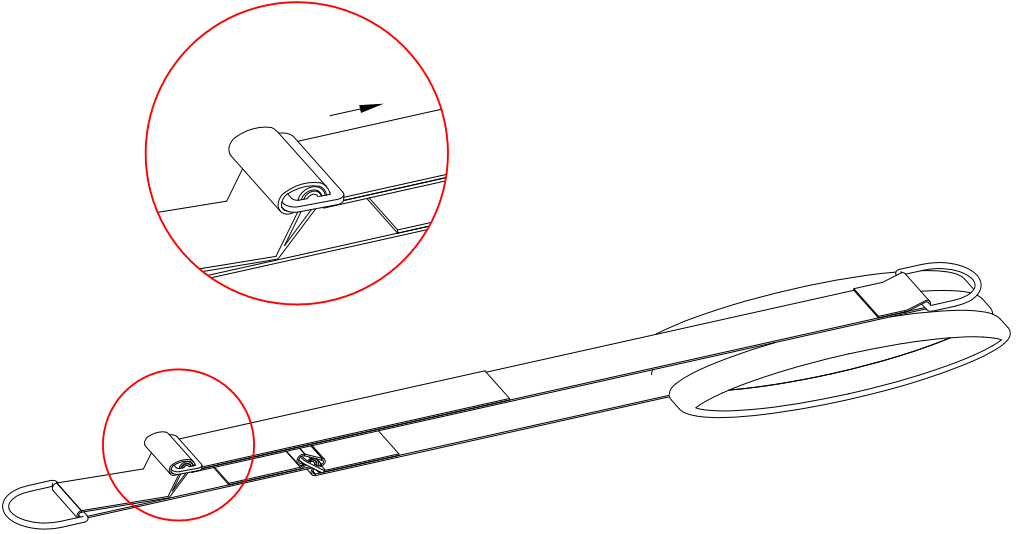
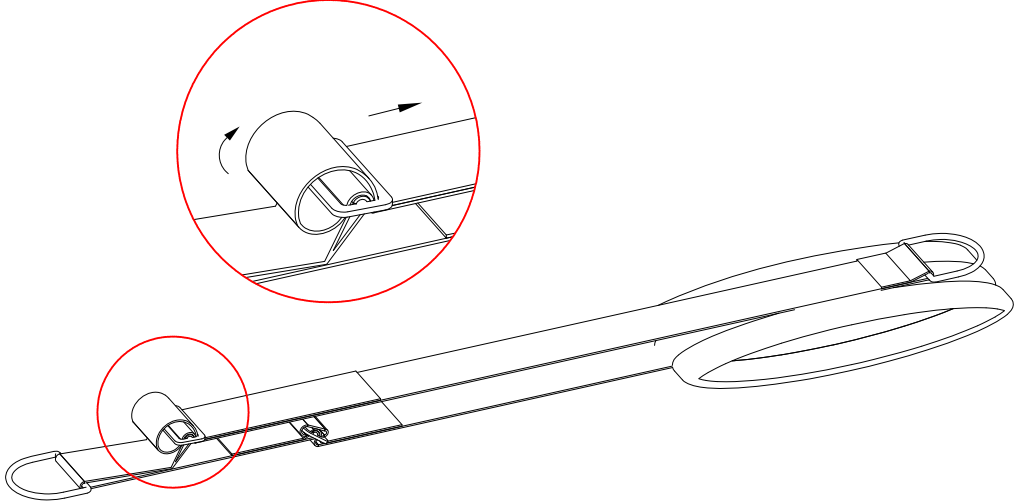
Step 02



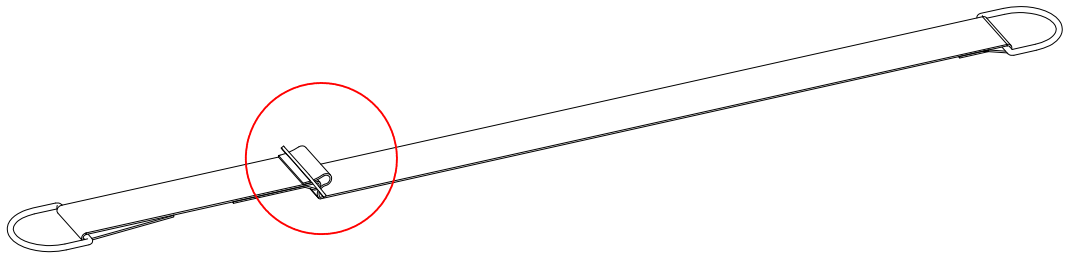
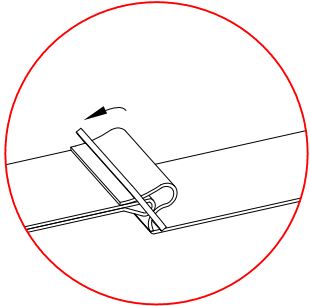
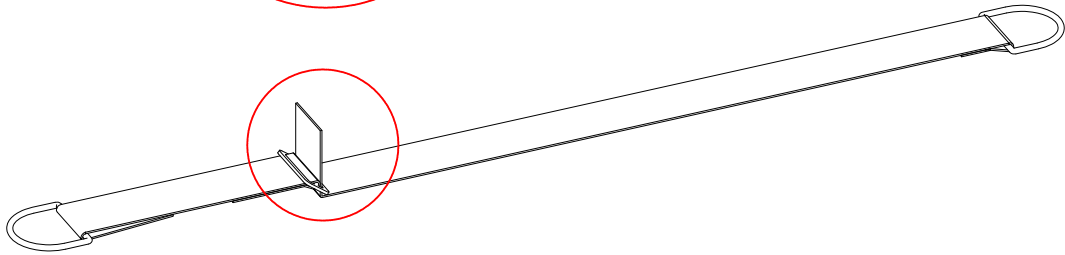
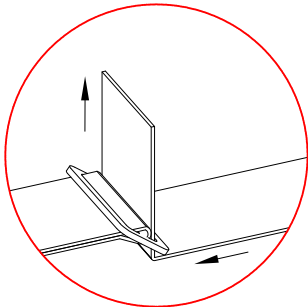
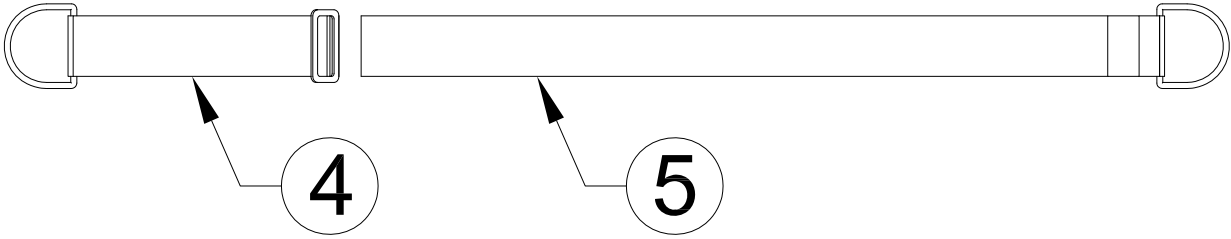
Step 03



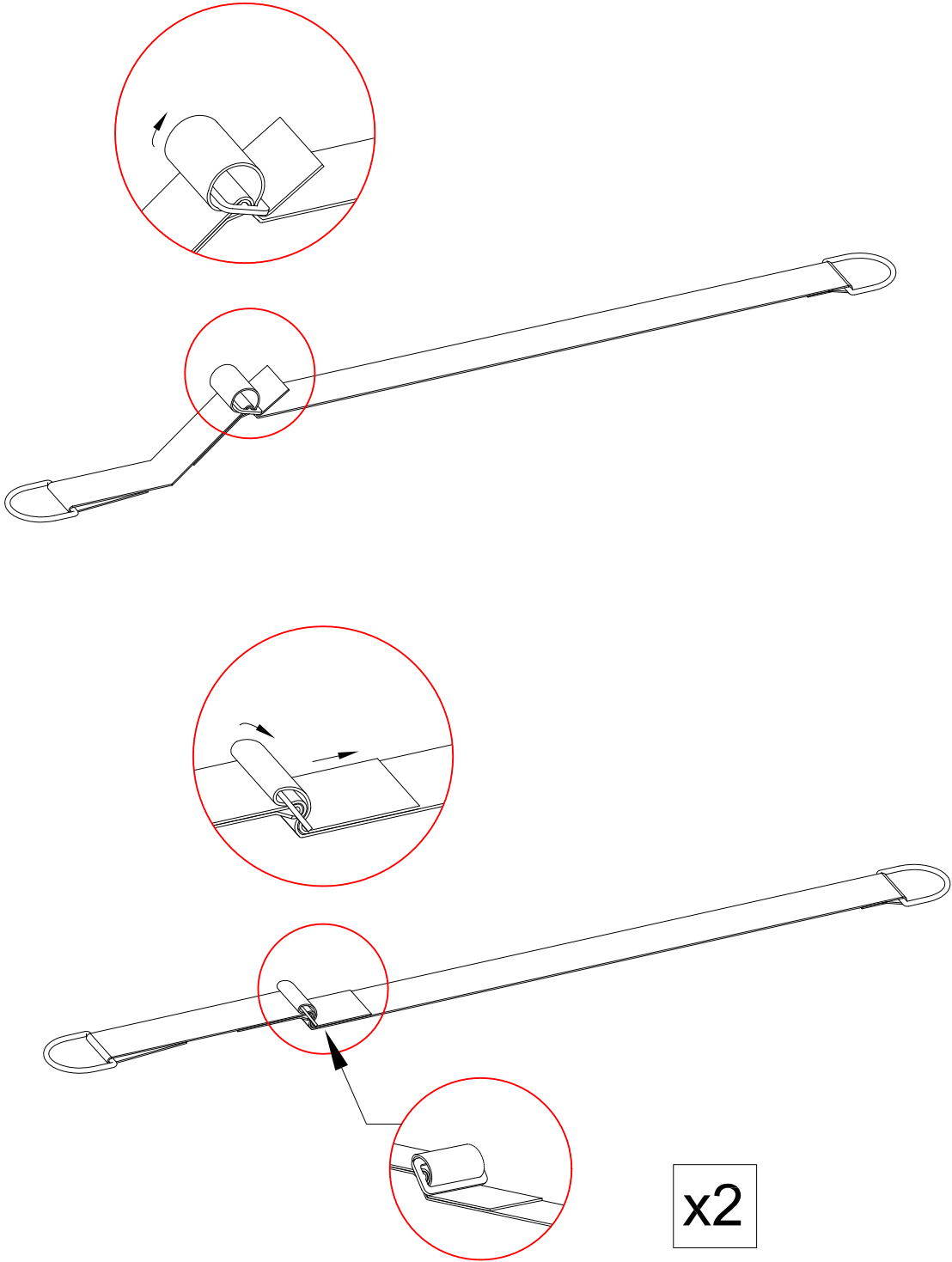
Step 04



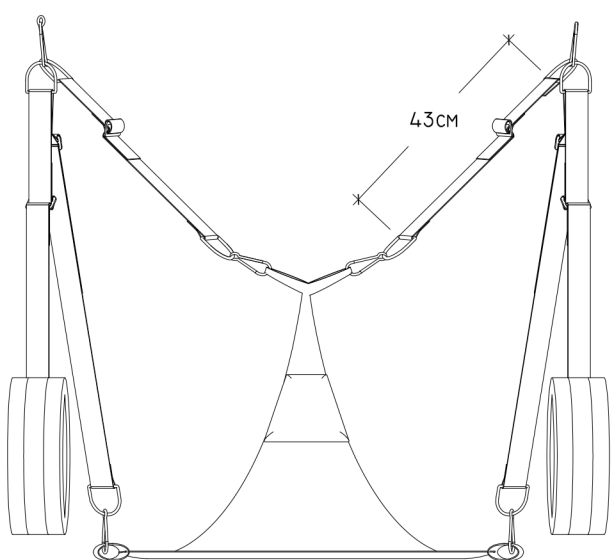
Step 05



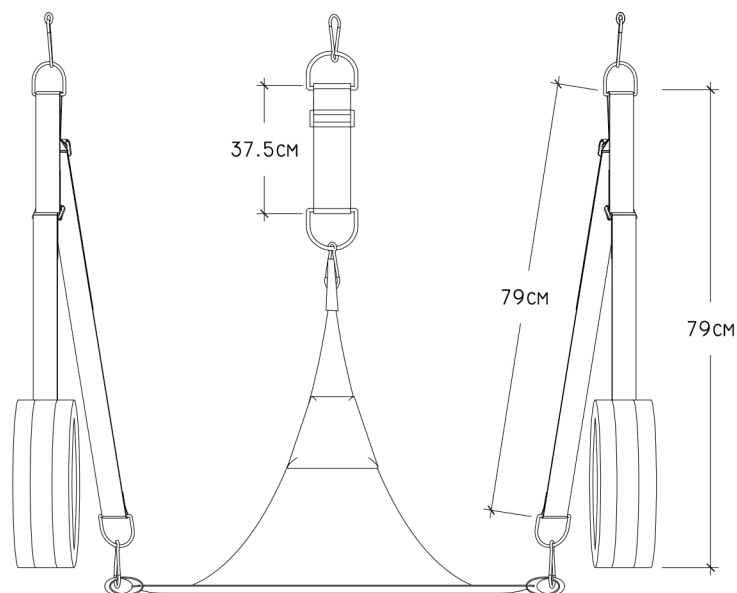
Step 06



Step 07



A



B

76cm from the floor



20810 Lassen Street
Chatsworth, California 91311
Customer Service: (818) 678-9193
WWW.665LEATHER.COM

Made in Europe / Hergestellt in Europa / Fabriqué en Europe