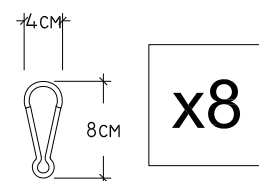
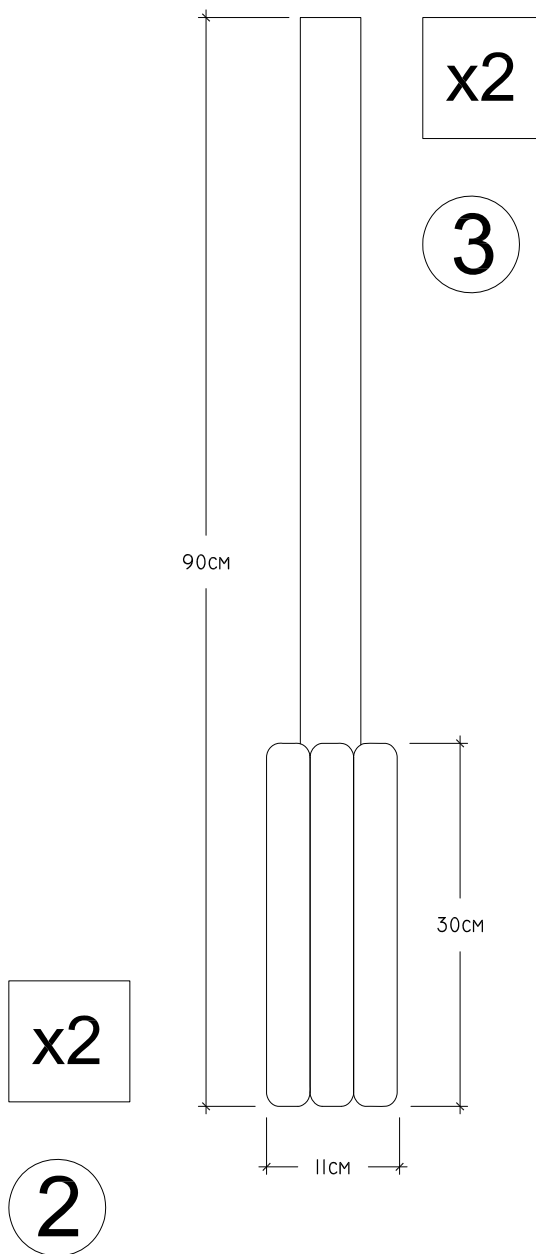
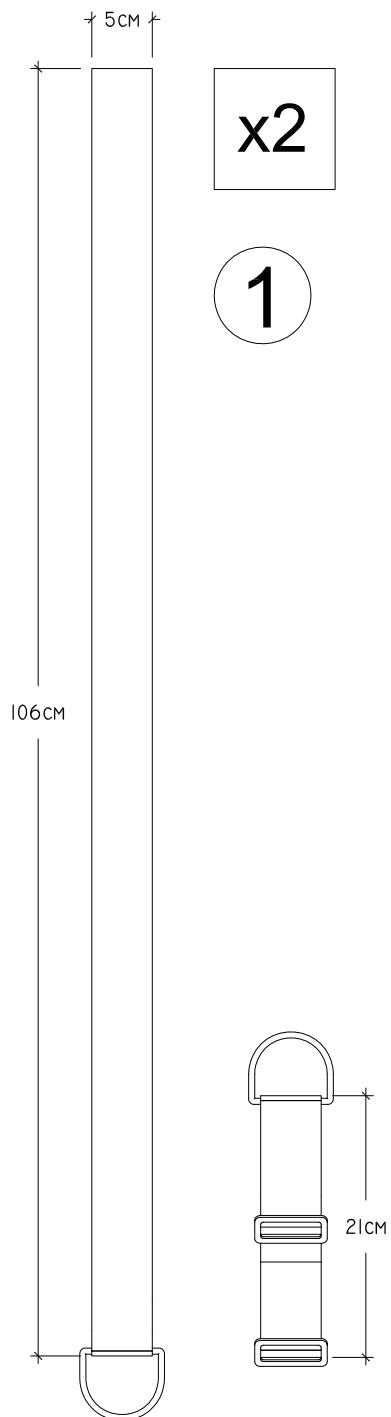
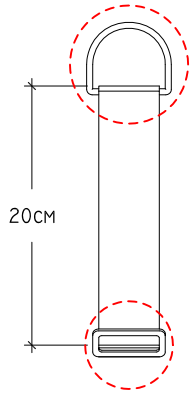


ASSEMBLY INSTRUCTIONS

RECTANGULAR SLING

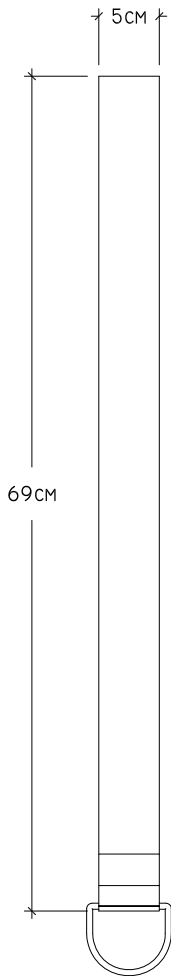
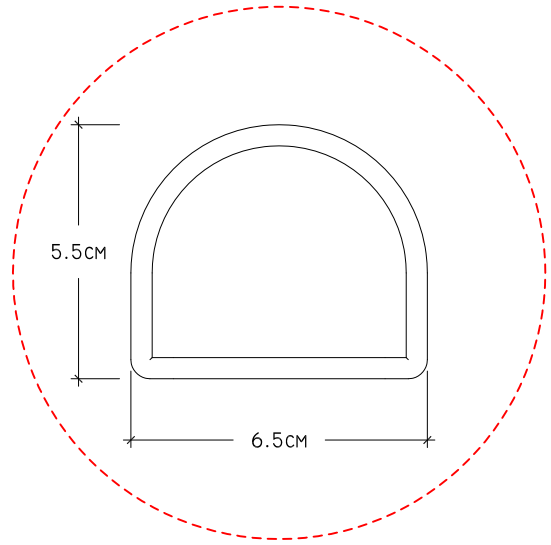
PARTS, QUANTITY & DIMENSIONS





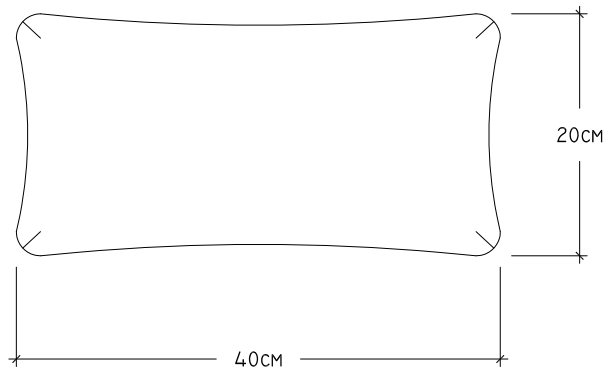
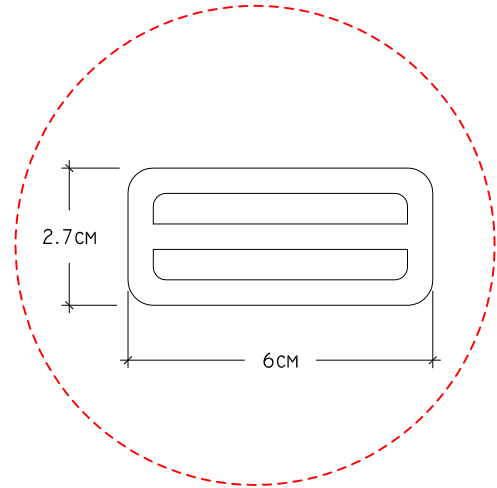
x2

4

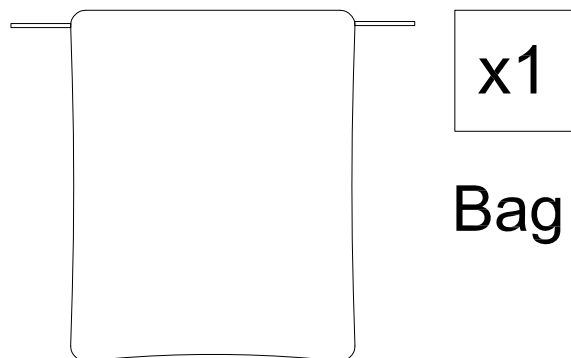
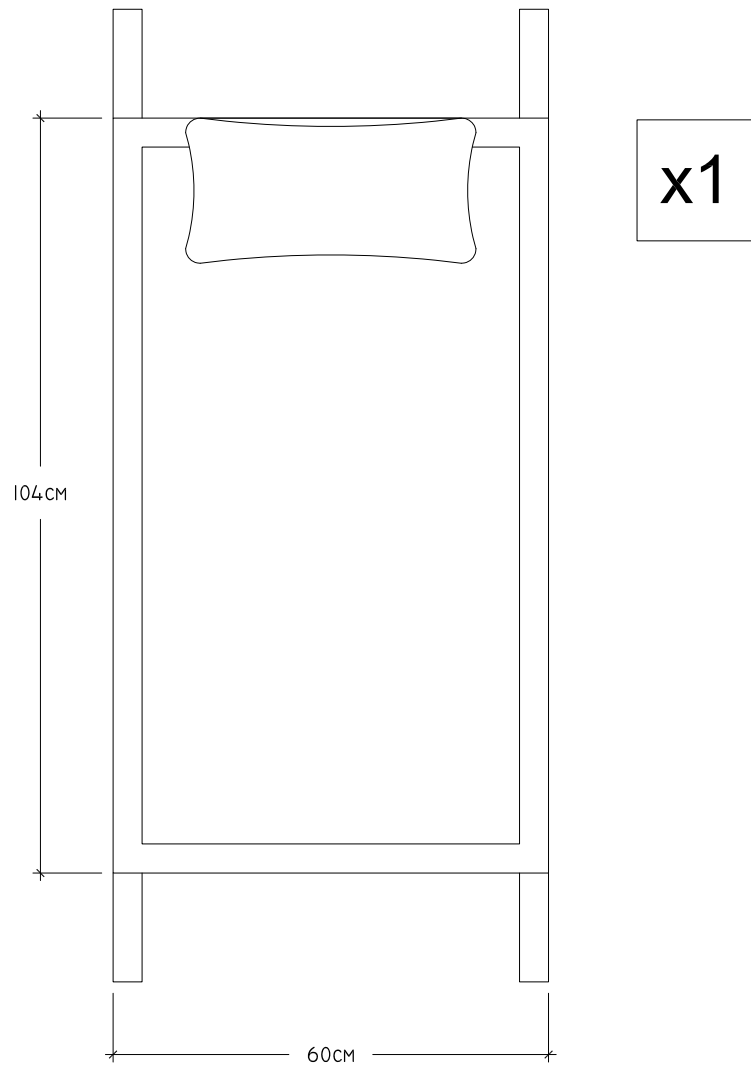


x2

5

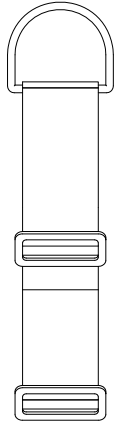
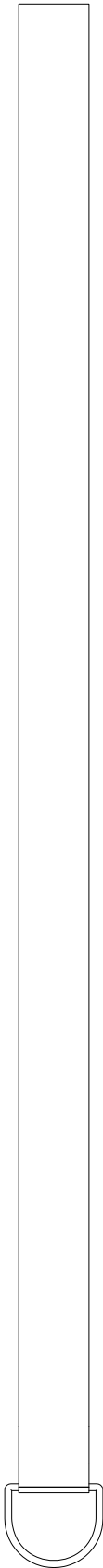


x1



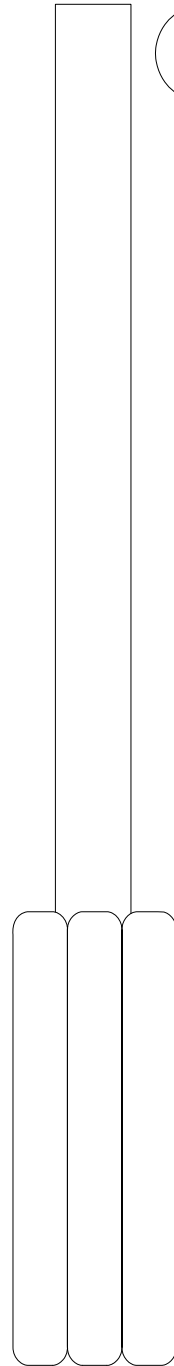
PROCESS

1

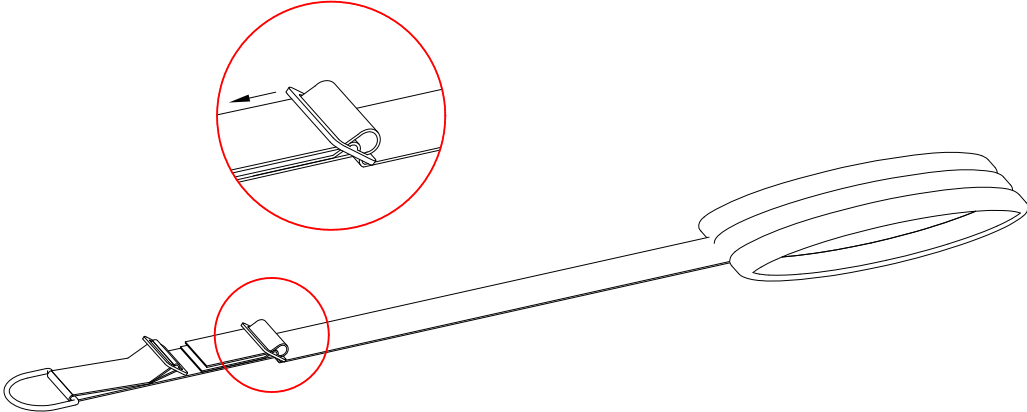
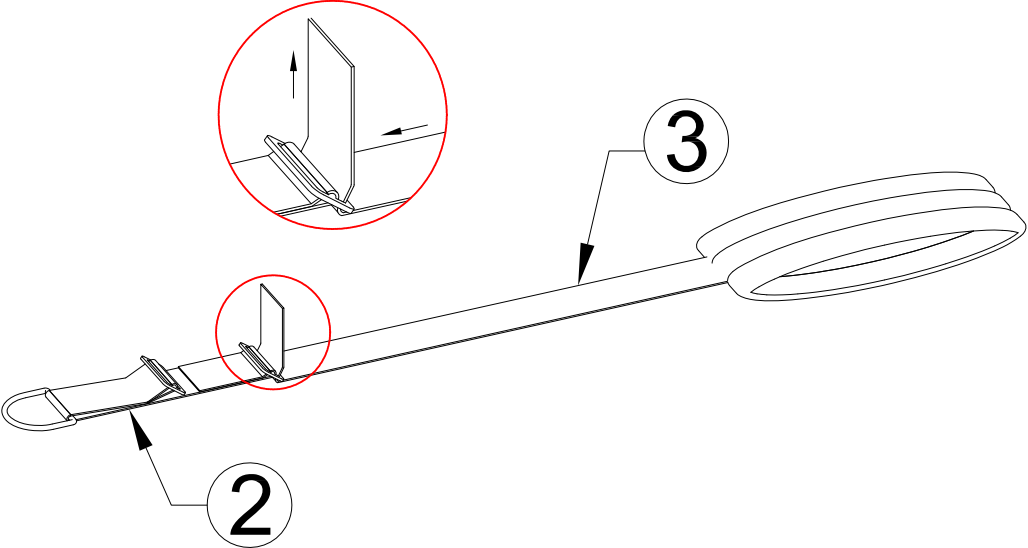


2

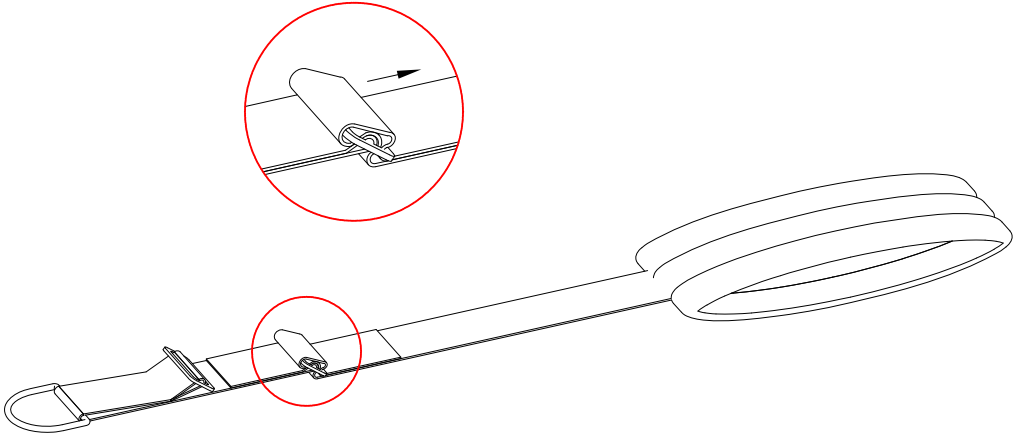
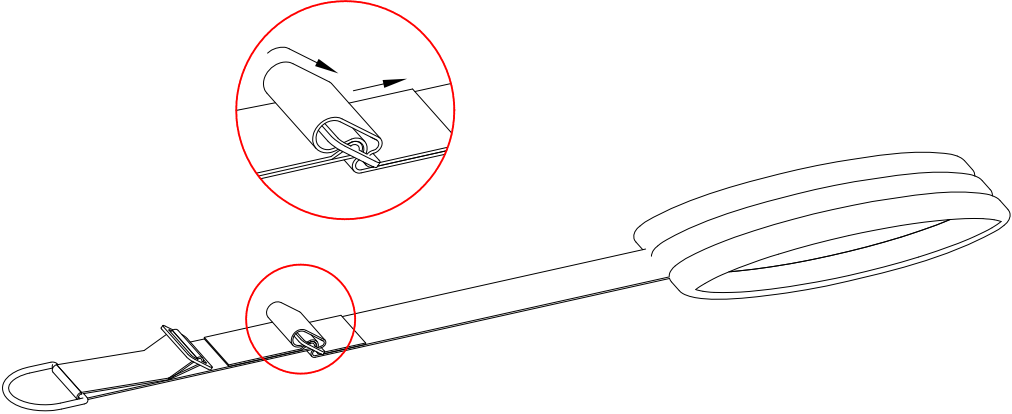
3



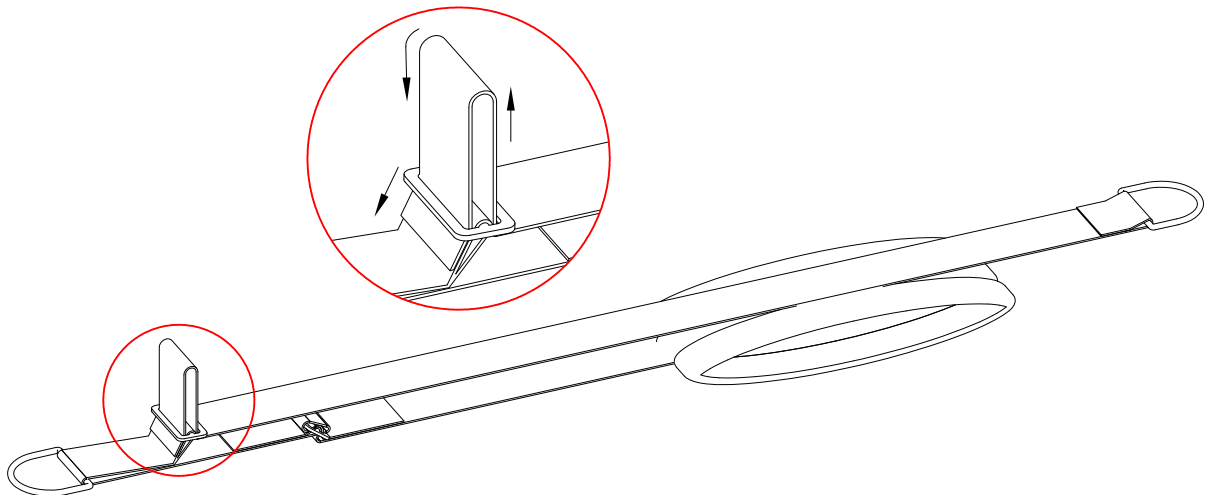
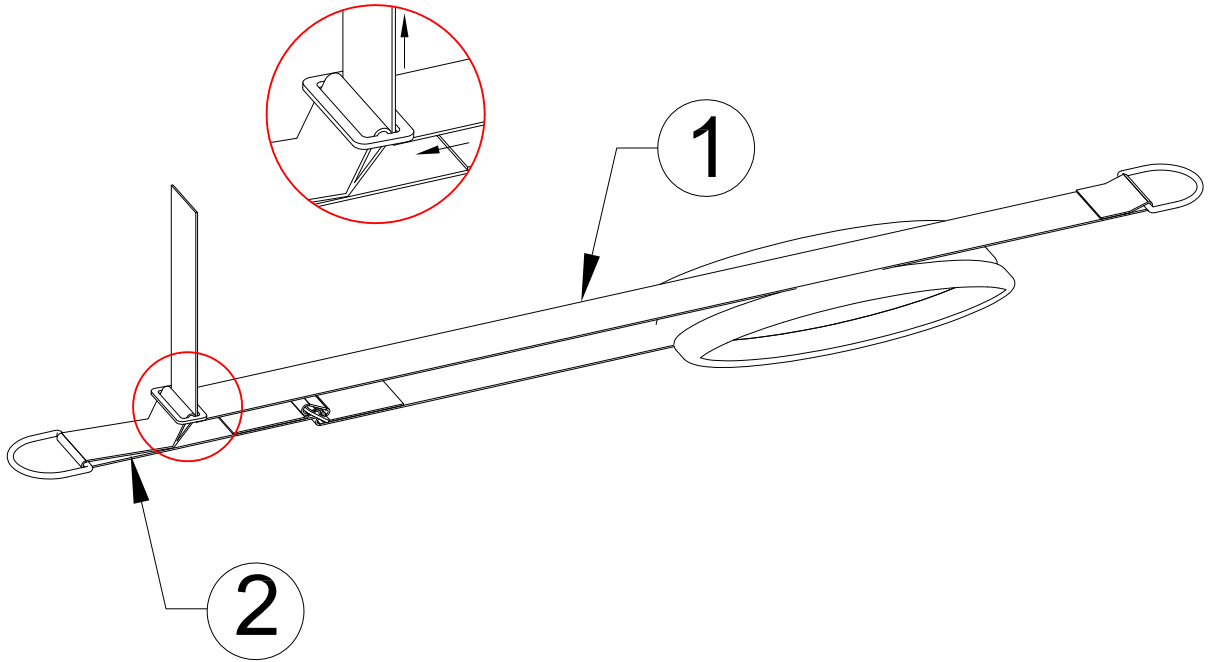
Step 01



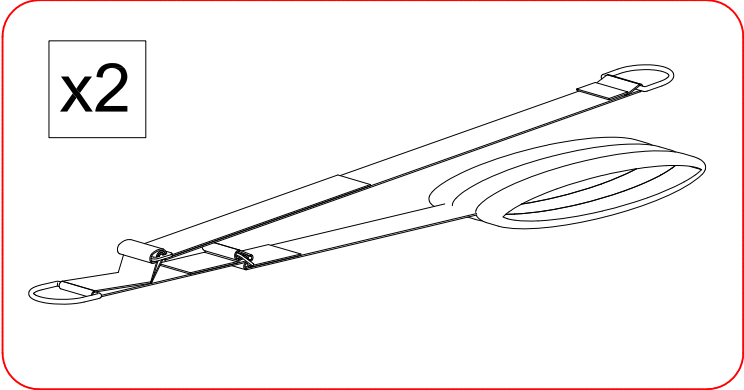
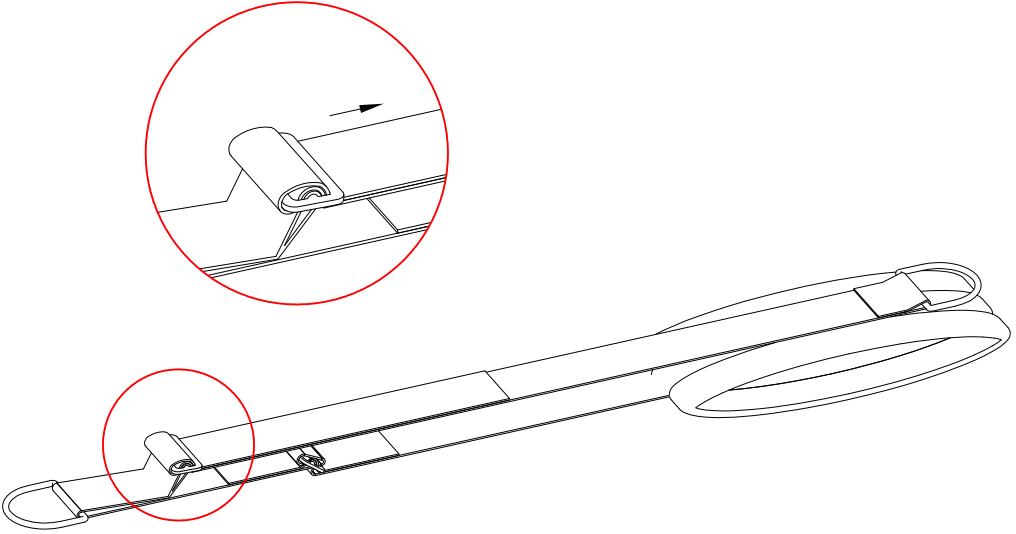
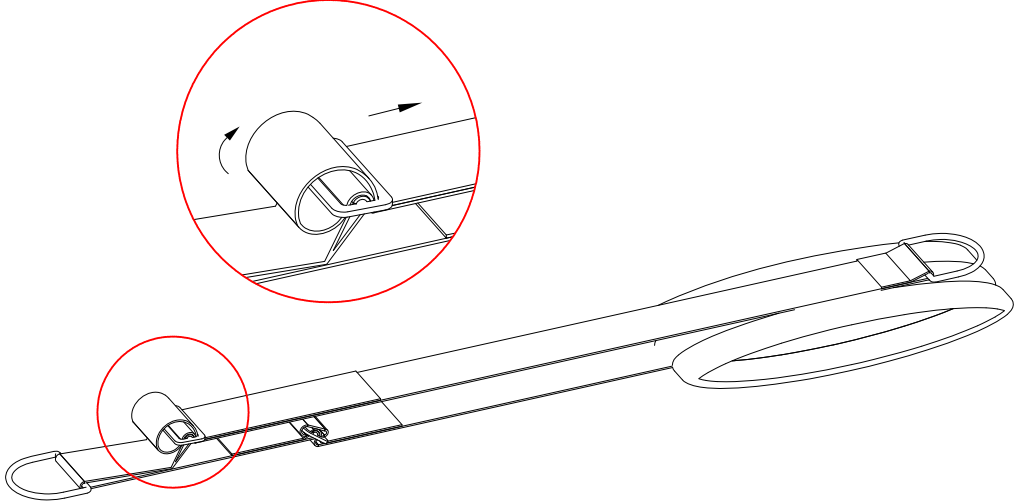
Step 02



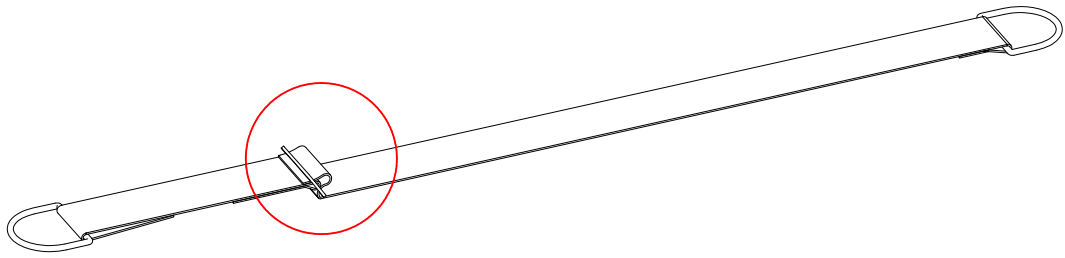
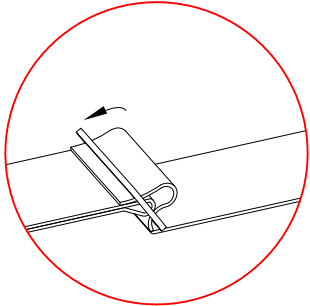
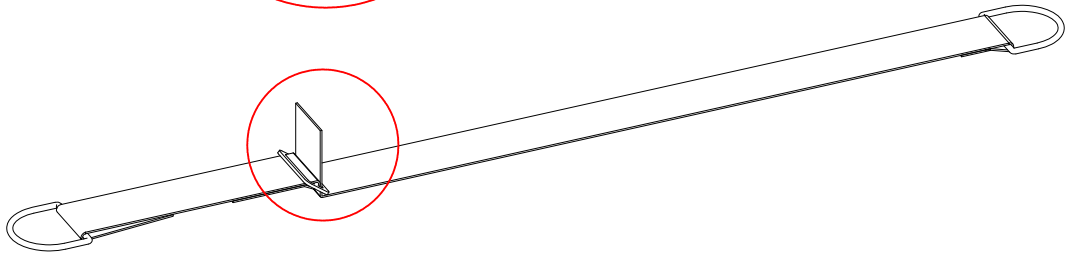
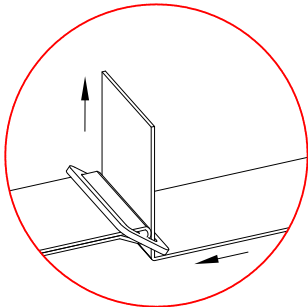
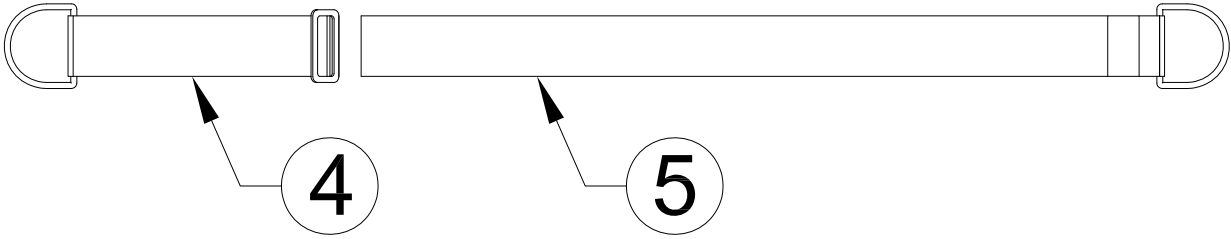
Step 03



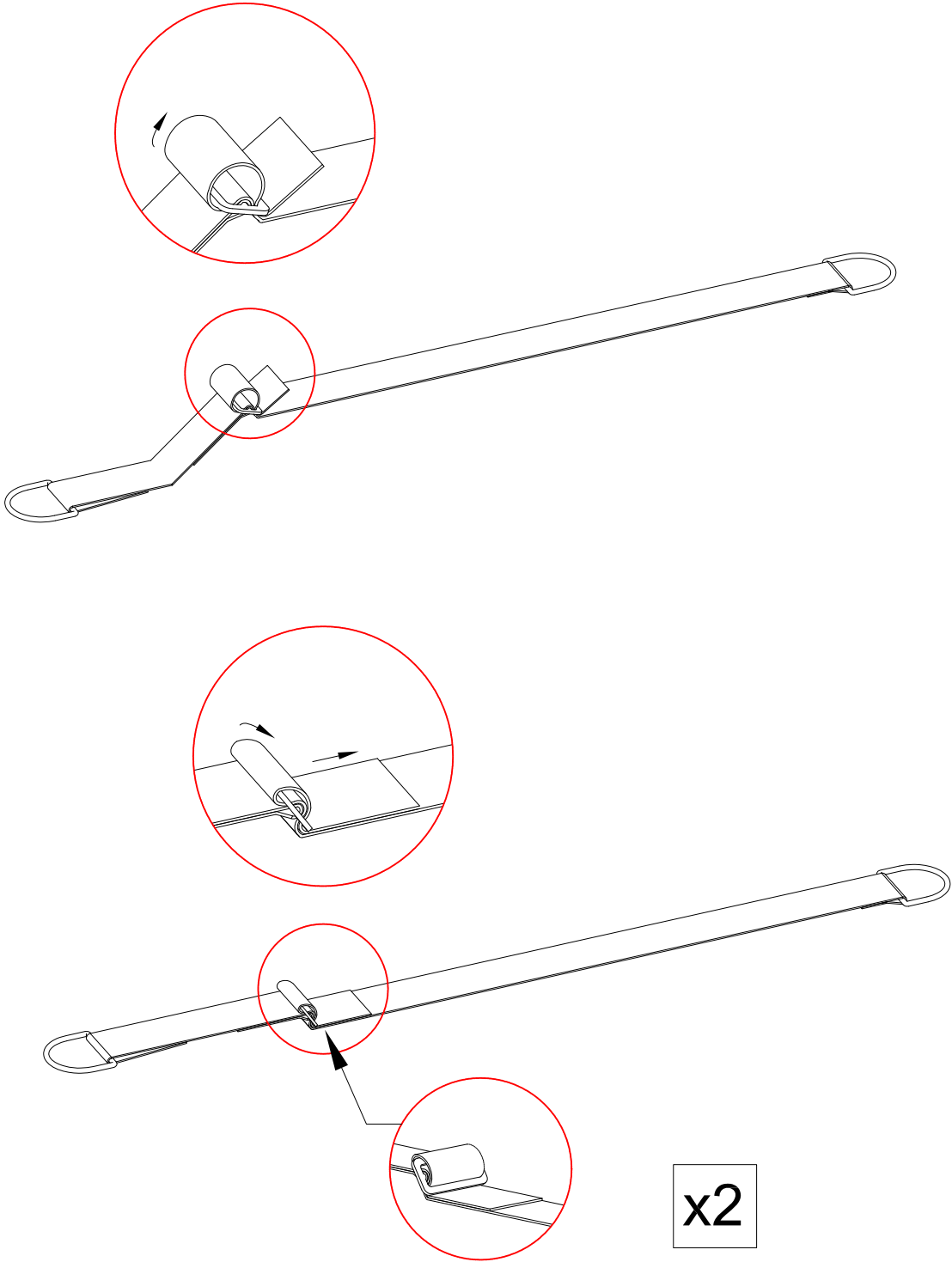
Step 04



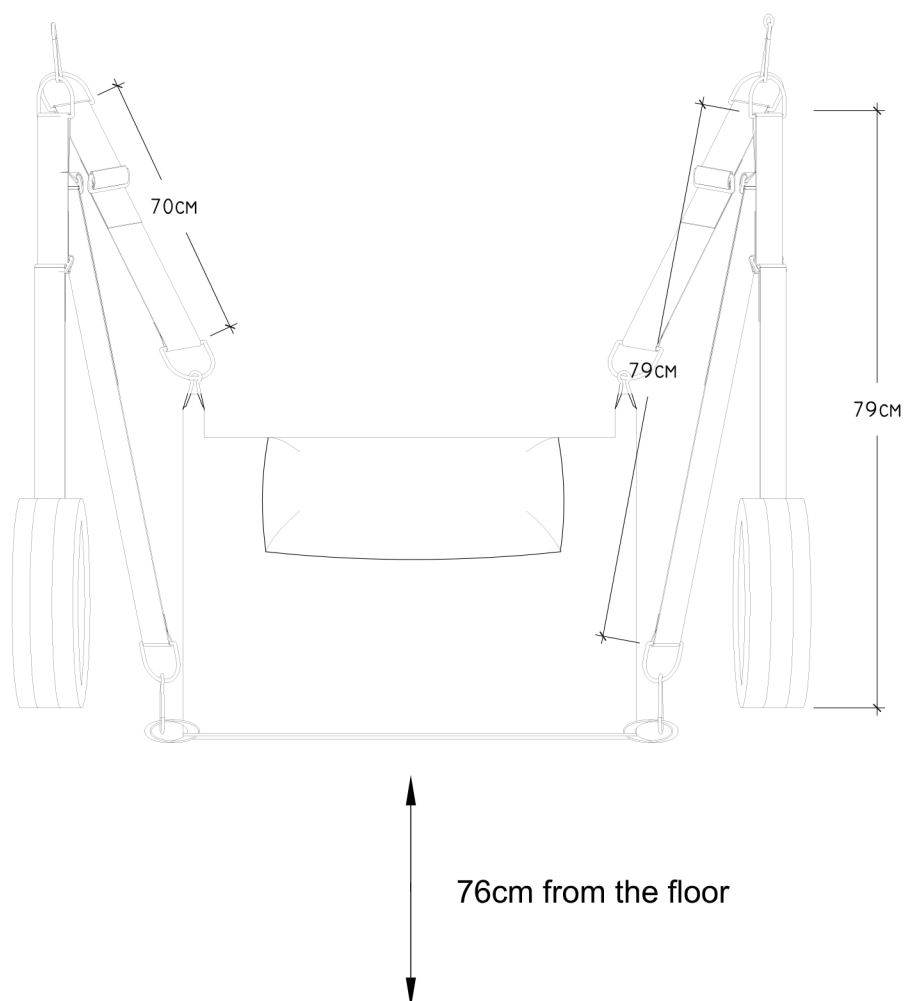
Step 05



Step 06



Step 07



20810 Lassen Street
Chatsworth, California 91311
Customer Service: (818) 678-9193
WWW.665LEATHER.COM

Made in Europe / Hergestellt in Europa / Fabriqué en Europe